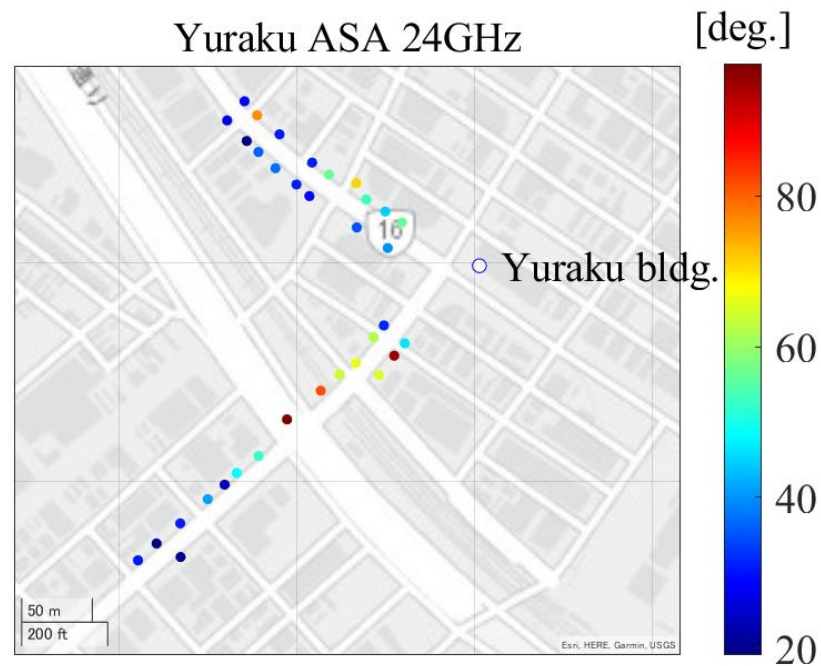


mmWave Measurement Results

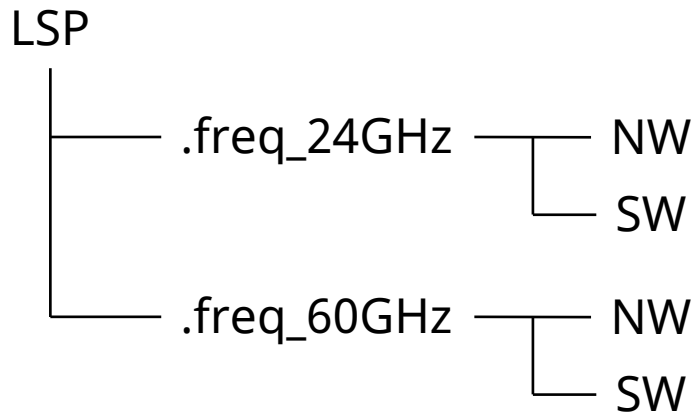
データ確認用プログラム



LSPの計算結果をプロット
「viewHeatmapAll.m」を実行

テーブル構造

■ 測定データ



| Variable | Description |
|----------|------------------------------|
| RouteNo | Route number |
| SerNo | Receiver position number |
| TxLat | Latitude of Transmitter |
| TxLon | Longitude of transmitter |
| RxLat | Latitude of receiver |
| RxLon | Longitude of receiver |
| d_2d | Tx - Rx 2D distance |
| d_3d | Tx - Rx 3D distance |
| PG | Path Gain [dB] |
| MD | Mean Delay [s] |
| DS | PMS Delay Spread [ns] |
| ASD | Angle Spread Departure [deg] |
| ASA | Angle Spread Arrival [deg] |